

NEMA line Outlet 5-15R, Snap-in Mounting, Front Side, IDC- or Quick-connect Terminal

**Description**

- Panel Mount:  
Snap-in, Front-Side
- 1 Function:  
Line Outlet Protection class I
- Quick connect terminals or wires

**Approvals**

- UL File Number: E132269
- CSA File Number: 73690

**Characteristics**

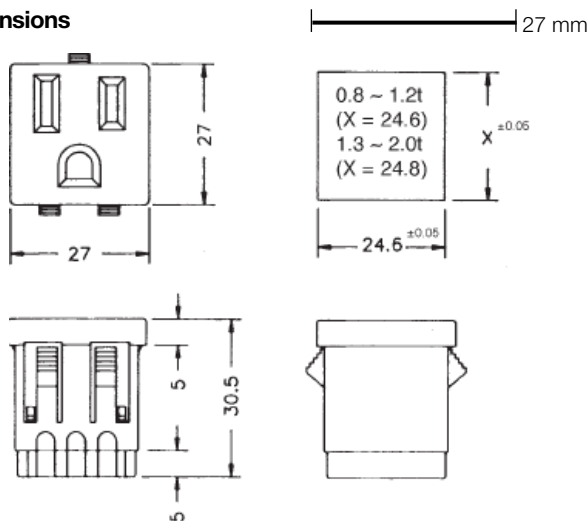
- Designed for standard applications

**References****Weblinks**

[pdf](#), [html](#), [General Product Information](#), [Approvals](#), [RoHS](#), [CHINA-RoHS](#), [Mating Connectors](#), [e-Store](#), [SCHURTER-Stock-Check](#), [Distributor-Stock-Check](#), [Accessories](#)

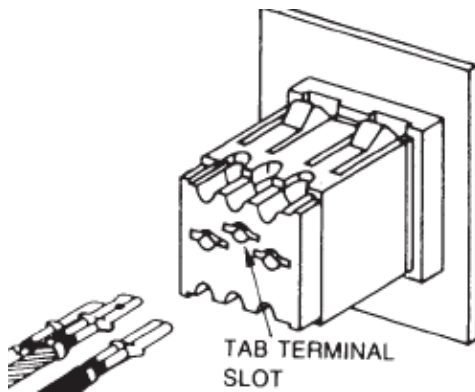
**Technical Data**

Ratings UL/CSA	15 A / 125 VAC; 60 Hz
Allowable Operation Temp.	-25 °C to +85 °C
Degree of Protection	from front side IP 20 acc. to IEC 60529
Protection Class	Suitable for appliances with protection class 1 acc. to IEC 61140
Terminal	Quick-Connect or Wire (solid)
Panel Thickness s	Snap-in 0.8 mm to 2 mm
Material: Housing	Thermoplastic, black

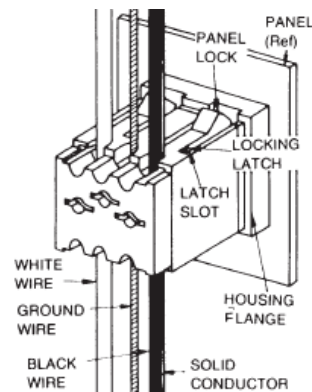
**Dimensions**

Panel thickness	X
0.8 - 1.2 mm	24.6 mm
1.3 - 2.0 mm	24.8 mm

## Dimensions



Quick connect mounting (5.2mm x 0.5mm)



Solid Wire connection (12-14AWG)

## Variants

Type	Protection Class	Panel mounting	Panel Thickness s [mm]	Terminal	Order Number
0710	1	Snap-in	0.8 -2	Quick connect terminals or wires	4300.0703

**Packaging unit** 120 Pcs

## Mating Inlets/Plugs

### Category / Description



### Power Plug (Mains Socket) [Overview complete](#)

US Power Supply Cord with IEC Connector C19, straight 6009.5195

[Power Plug \(Mains Socket\) further types to 0710](#)



### Power Supply Cord [Overview complete](#)

Power Supply Cord with NEMA 5-15 Power (Mains) Plug 3-pole, Angled 1140

Power Supply Cord with NEMA 1-15 Power (Mains) Plug 2-pole, Straight 4190

Power Supply Cord with NEMA 1-15 Power (Mains) Plug 2-pole, Straight 419c

Power Supply Cord with NEMA 5-15 Power (Mains) Plug 3-pole, Straight 4390

[Power Supply Cord further types to 0710](#)



### Power Supply or Interconnection Cord [Overview complete](#)

US Power Supply Cord with IEC Connector C13, straight 6009.1315

Divers Power Supply and Interconnection Cords 10 A 6047.6414

Divers Power Supply and Interconnection Cords 2.5 A CS01.0221.150

Divers Power Supply and Interconnection Cords 2.5 A CS02.0221.150

[Power Supply or Interconnection Cord further types to 0710](#)