

IEC Appliance Outlet J, Screw-on Mounting, Front Side, Solder or Quick-connect Terminal

**Description**

- Panel Mount:
 - Screw-on mounting from front side
- Connector, Pin temperature 70 °C, Protection class I
- Solder terminals or quick connect terminals

Approvals

- UL File Number: E103791
- CSA File Number: 73165

References

We recommend for new applications the new type [4797](#)

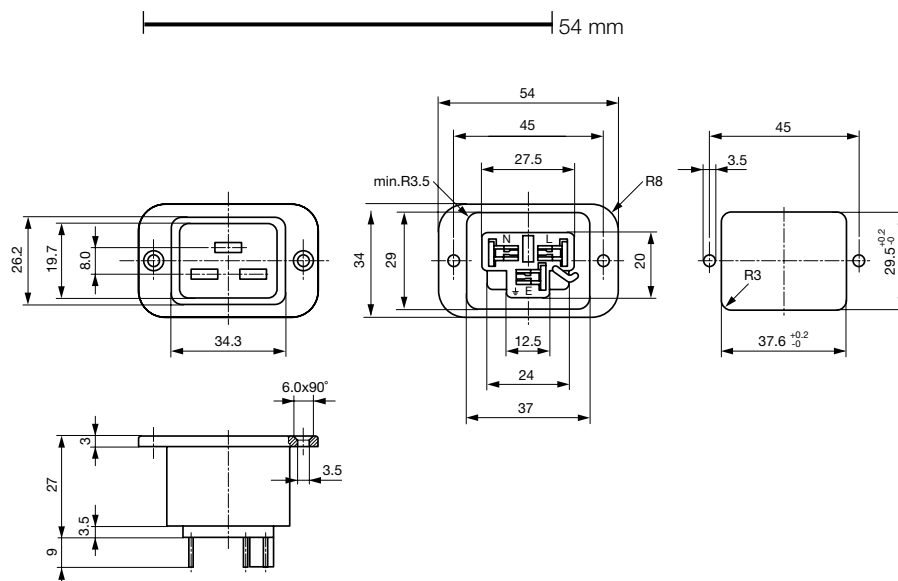
Weblinks

[pdf](#), [html](#), [General Product Information](#), [Approvals](#), [RoHS](#), [CHINA-RoHS](#), [Mating Connectors](#), [e-Store](#), [SCHURTER-Stock-Check](#), [Distributor-Stock-Check](#), [Accessories](#)

Technical Data

Ratings IEC	16A / 250VAC; 50Hz
Ratings UL/CSA	20A / 250VAC; 60Hz
Dielectric Strength	> 2 kVAC between L-N > 2 kVAC between L/N-PE (1 min/50Hz)
Allowable Operation Temp.	-25 °C to 70 °C
Degree of Protection	from front side IP 30 acc. to IEC 60529
Protection Class	Suitable for appliances with protection class 1 acc. to IEC 61140
Terminal	Solder terminals or quick connect terminals
Panel Thickness s	Screw: max 8 mm Mounting screw torque max 0.5Nm
Material: Housing	Thermoplastic, black, UL 94V-0

Appliance Outlet	J acc. to IEC/EN 60320-2-2, UL 498, CSA C22.2 no. 42 (for cold conditions) pin-temperature 70 °C, 16A, Protection Class 1
------------------	--

Dimensions

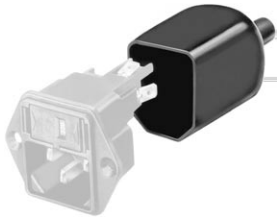
Variants

Terminal	Order Number
Quick connect terminals 6.3 x 0.8 mm	6653.3300
Solder terminals 4.8 x 0.8 mm	6653.3100

Packaging unit 50 Pcs

Accessories

Description



Assorted Covers
Rear Cover



Cord retaining kits
Cord retaining strain relief

Mating Inlets/Plugs

Category / Description

[PlugOverview complete](#)



IEC Plug I, Cord Connector (Rewireable), Straight	0106
IEC Plug I, Cord Connector (Rewireable), Angled	1611
IEC Plug I, Cord Connector (Rewireable), Straight	1612
IEC Plug I, Cord Connector (Rewireable), Angled	4789
IEC Plug I, Cord Connector (Rewireable), Straight	4796

[Plugfurther types to0723](#)