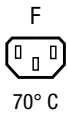


## IEC Appliance Outlet F with Fuseholder 1-pole

Plug removal necessary for fuse replacement



with neon indicator



70 °C

**Description**

- Panel Mount:
  - Snap-in version from front side
- 3 Functions:
  - Connector shuttered Protection class I, Fuseholder for fuse-links 5 x 20 mm 1-pole, with or without neon indicator
- Solder terminals 3.8 x 0.8 mm

**Approvals**

- VDE Certificate Number: 40030183
- UL File Number: E93617

**Characteristics**

- With internal connections, except neon indicator to allow for different configurations
  - Neon indicator with wire terminals
- With slotted screw type fuseholder
  - Fuseholder meets requirements of medical standard IEC/EN 60601-1
  - The fuseholder can only be opened with the aid of a tool
  - The fuseholder is accessible from the equipment front
- Qualified for use in equipment according IEC/EN 60950

**Other versions on request**

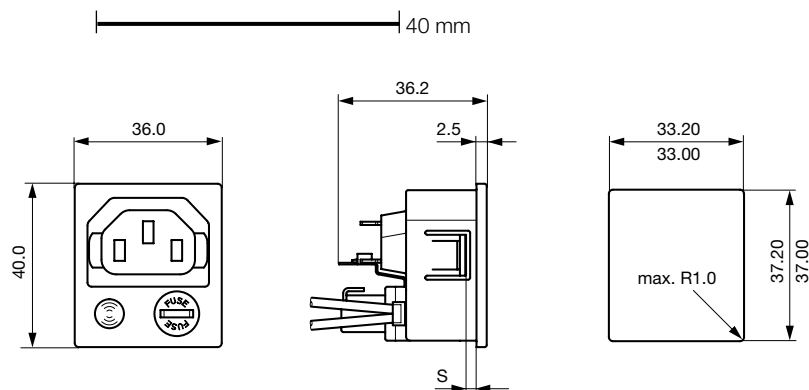
- For protection class II

**References****Weblinks**

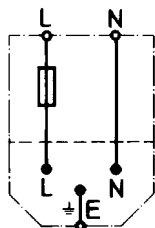
[pdf](#), [html](#), [General Product Information](#), [Approvals](#), [RoHS](#), [CHINA-RoHS](#), [Mating Connectors](#), [e-Store](#), [SCHURTER-Stock-Check](#), [Distributor-Stock-Check](#), [Accessories](#), [Wire Harness](#)

**Technical Data**

Ratings IEC	10A / 250VAC; 50Hz	Appliance Outlet	F acc. to IEC/EN 60320-2-2, UL 498, CSA C22.2 no. 42 (for cold conditions) pin-temperature 70 °C, 10A, Protection Class 1
Ratings UL/CSA	10A / 250VAC; 60Hz	Fuseholder	1-pole, Shocksafe category PC2 acc. to IEC 60127-6, for fuse-links 5 x 20mm
Dielectric Strength	> 2.5 kVAC between L-N > 3 kVAC between L/N-PE (1 min/50Hz)	Rated Power Acceptance @ Ta 23 °C	5 x 20: 1.6W (1 pole)
Allowable Operation Temp.	-25 °C to 70 °C	Power Acceptance @ Ta > 23°C	Admissible power acceptance at higher ambient temperature see derating curves
Degree of Protection	from front side IP 40 acc. to IEC 60529		
Protection Class	Suitable for appliances with protection class 1 acc. to IEC 61140		
Terminal	Solder terminals 3.8 x 0.8 mm except neon indicator		
Panel Thickness s	Snap-in: 1/1.2/1.5/2/2.5/3 mm		
Material: Housing	Thermoplastic, black, UL 94V-0		

**Dimensions**

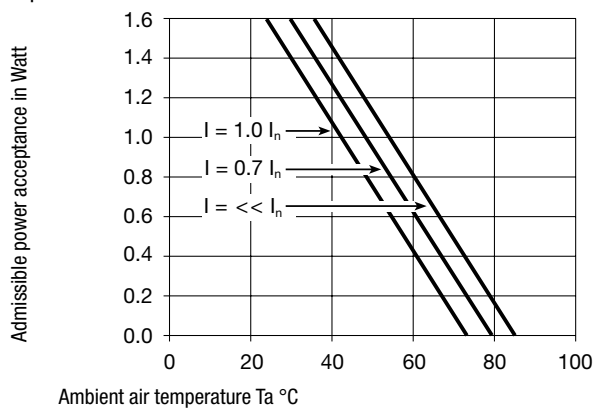
## Diagrams



version without neon indicator

## Derating Curves

1-pole



## Variants

Socket and fuse-carrier

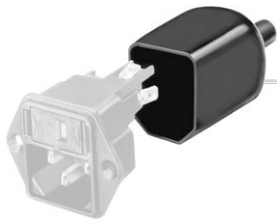
Panel Thickness s [mm]	Neon indication	Order Number
1	●	4719.3300
1.2	●	4719.8300
1.5	●	4719.4300
2	●	4719.5300
2.5	●	4719.6300
3	●	4719.7300
1		4719.3310
1.2		4719.8310
1.5		4719.4310
2		4719.5310
2.5		4719.6310
3		4719.7310

Packaging unit

100 Pcs

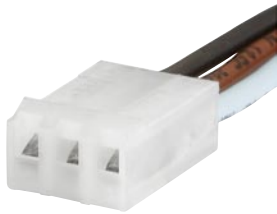
Accessories

Description



Assorted Covers  
Rear Cover

0859.0075



Wire Harness  
Wire harness for SCHURTER products

Mating Inlets/Plugs

Category / Description

[Interconnection Cord Overview complete](#)



Interconnection Cord with IEC Plug E, Angled	0607
Interconnection Cord with IEC Plug E, Angled	0608
Interconnection Cord with IEC Plug E, Straight	0609
Interconnection Cord with IEC Plug G, Angled	607B
Interconnection Cord with IEC Plug G, Angled	608B

[Interconnection Cord further types to 4719](#)

...

[Plug Overview complete](#)



IEC Plug E, Cord Connector (Rewireable), Straight, max. cable Diameter 8.5 mm	4732
IEC Plug E, Cord Connector (Rewireable), Angled, max. Cable Diameter 10 mm	4733
IEC Plug E, Cord Connector (Rewireable), Straight, max. Cable Diameter 10 mm	4735
IEC Plug E, Cord Connector (Rewireable), Angled, max. Cable Diameter 10 mm	4736
IEC Plug E, Cord Connector (Rewireable), Straight	9009

[Plug further types to 4719](#)

...