

IEC Plug E, Cord Connector (Rewireable), Straight

**Description**

Screwing cable terminal,

- Pin temperature 70 °C, Protection class I, Cable
- Note: Please order pvc strain relief separately, mating strain reliefs please find under accessories.

Approvals

- VDE Certificate Number: 40009798
- CSA File Number: 1612079

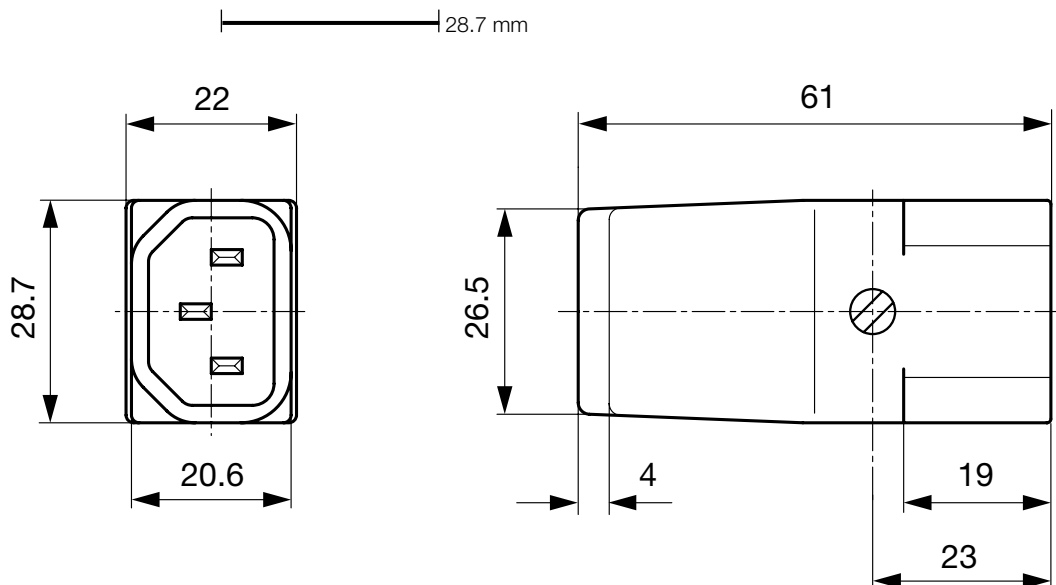
Weblinks

[pdf](#), [html](#), [General Product Information](#), [Approvals](#), [RoHS](#), [CHINA-RoHS](#), [Mating Connectors](#), [e-Shop](#), [SCHURTER-Stock-Check](#), [Distributor-Stock-Check](#), [Accessories](#)

Technical Data

Ratings IEC	10A / 250VAC; 50Hz
Ratings UL/CSA	15A / 250VAC; 60Hz
Dielectric Strength	> 4 kVAC between L-N > 2 kVAC between L/N-PE (1 min/50Hz)
Allowable Operation Temp.	-25 °C to 70 °C
Degree of Protection	from front side IP 20 acc. to IEC 60529
Protection Class	Suitable for appliances with protection class 1 acc. to IEC 61140
Terminal	Screw clamps
Material: Housing	PA6, black / grey / white, UL 94V-0

Plug	E acc. to IEC/EN 60320-1 UL 498, CSA C22.2 no. 42 (for cold conditions) pin-temperature 70 °C, 10A, Protection Class 1
------	---

Dimensions

Config. Code

9009 - H - A B C 0 - D - E J

The characters are placeholders for the correspondingly keys of selections from the key tables.

9009 - H - A B C 0 - D - E J = Type

Type	Configuration key
protection class 1	X

9009 - H - A B C 0 - D - E J = Terminals

Terminal L	Configuration key
screw terminal	A
special terminal	Z

9009 - H - A B C 0 - D - E J = Terminals

Terminal N	Configuration key
screw terminal	A
special terminal	Z

Symbols similar as in table A

9009 - H - A B C 0 - D - E J = Terminals

Terminal Ground	Configuration key
screw terminal	A
special terminal	Z

Symbols similar as in table A

9009 - H - A B C 0 - D - E J = Color

Color	Configuration key
Black	A
Grey	B
White	D

9009 - H - A B C 0 - D - E J = Style

Style	Configuration key
for cord assembly	8

9009 - H - A B C 0 - D - E J = Condition

Condition	Configuration key
assembled	1
disassembled	2

Packaging unit 50 Pcs

Accessories

Description



[4311.0053](#)
PVC Strain Relief for cable outside diameter 8.7mm, 3 x 16AWG



[4311.0068](#)
PVC Strain Relief for cable outside diameter 10mm, 3 x 14AWG



4311.9305
PVC Strain Relief for cable outside diameter 8.7mm-10mm, 3 x 14AWG

Mating Outlets/Connectors

Category / Description

Appliance Outlet Overview complete



IEC Appliance Outlet F, Screw-on Mounting, Front Side, Solder Terminal	4787
IEC Appliance Outlet F, Snap-in Mounting, Front Side, Solder or Quick-connect Terminal	4788
IEC Appliance Outlet F, Screw-on Mounting, Front Side, Solder or Quick-connect Terminal	6600-3
IEC Appliance Outlet F, Snap-in Mounting, Front Side, Solder or Quick-connect Terminal	6600-4

Appliance Outlet further types to 9009



Appliance Outlet shuttered Overview complete

IEC Appliance Outlet F Shuttered, Screw-on Mounting, Front Side, Solder or Quick-connect Terminal	4721
IEC Appliance Outlet F Shuttered, Snap-in Mounting, Front Side, Solder or Quick-connect Terminal	4723

Appliance Outlet shuttered further types to 9009



Connector Overview complete

IEC Connector C15, Rewireable, Straight	0101
IEC Connector C15A, Rewireable, Straight	0102
IEC Connector C15A, Rewireable, Straight	0102-G
IEC Connector C15A, Rewireable, Angled	0112
IEC Connector C13, Rewireable, Angled	4012

Connector further types to 9009

...



Distribution Unit Overview complete

Distribution Unit for Snap-in Mounting with 1 IEC Appliance Inlet C14 and 1 Appliance Outlet F	0712
Strip Block for Snap-in Mounting with up to 7 IEC Appliance Outlets F	0909
Distribution Unit with 1 IEC Appliance Inlet C14 or Power Cord, 4 IEC Appliance Outlets F and Extra Components	4740
Distribution Unit with 1 IEC Appliance Inlet C14 and 2 Appliance Outlets F, Shuttered	4741
Distribution Unit with 1 IEC Appliance Inlet C14 and 4 Appliance Outlets F	4747

Distribution Unit further types to 9009

...



Power Cord Overview complete

Power Cord with IEC Connector C13, Angled	0311
Power Cord with IEC Connector C13, Angled	3011
Power Cord with IEC Connector C13, Angled	3012
Power Cord with IEC Connector C13, Angled	3013
Power Cord with IEC Connector C13	3020

Power Cord further types to 9009

...



Power Entry Module Overview complete

IEC Appliance Outlet F with Fuseholder 1-pole	4719
IEC Appliance Inlet C14 with modular extended Components	Felcom 64
IEC Appliance Inlet C14 with Appliance Outlet F	KP (Outlet)
IEC Appliance Inlet C14 with Appliance Outlet F, Line Switch 2-pole and Voltage Selector	PMM

Power Entry Module further types to 9009

Category / Description



[Power Entry Module with line filter](#)[Overview complete](#)

[IEC Appliance Inlet C14 Modular Assembling Options](#)

[Felcom 54](#)

[Power Entry Module with line filter](#)[further types to 9009](#)