

Fuse Carriage with Handle for OGN, OGN-SMD



2.5W/10A

**Description**

- Better access to fuse-links on PCB's

**Applications**

- Printed circuit boards with tightly packed components. Colour coding allows for quick and safe replacement of fuses.

**References**

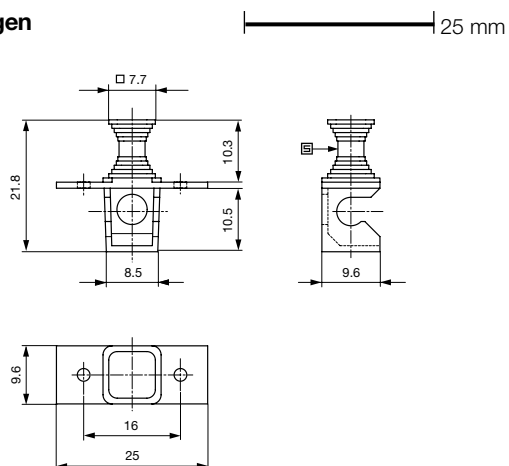
Fits to type: OGN; OGN-SMD

**Weblinks**

pdf, html, General Product Information, Approvals, RoHS, CHINA-RoHS, e-Shop, SCHURTER-Stock-Check, Distributor-Stock-Check

**Technical Data**

Fuse-Link	5 x 20 mm
Rated Power Acceptance IEC	2.5 W / 10 A @ Ta 23 °C
Admissible Ambient Air Temp.	-40 °C to 85 °C
Material: Cover	Thermoplastic black / white / blue / brown UL 94V-0
Storage Conditions	0 °C to 60 °C, max. 70% r.h.

**Abmessungen****Variants**

Color	Order Number
black	0853.1201
white	0853.1202
blue	0853.1203
brown	0853.1204

**Packaging Unit**

Bulk (100 pcs.)